

**My Account**

Login  
Create Account

**Resources**

View All (813)  
Adenoviruses (137)  
Antibodies (175)  
Bioimages (67)  
Genomics Studies (145)  
mESC Lines (68)  
Mouse Strains (120)  
Miscellaneous (46)  
Protocols (55)  
Research Data (4)  
Resource Tags (389)  
Visualization (9)

**Research & Cores**

Core Facilities (5)  
Research Highlights (5)  
Research Networks  
Research Objectives

**Information**

About the BCBC  
BCBC Events  
Branding & Logos  
Career Opportunities  
Health  
NIH hESC Registry  
Policies & Guidelines  
Member Publications  
Research Programs  
Research Investigators  
Member Directory  
Tutorials

**Pdx1.H2B.Apple - Mouse Strain RES4058****Mouse Information**

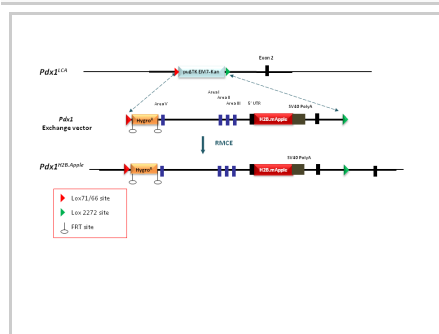
<b>Common Name:</b>	Pdx1.H2B.Apple
<b>MGI Official Name:</b>	Pdx1 <sup>(H2B.Apple)Mgn</sup>
<b>Description:</b>	This mouse contains a coding sequence for the mApple-H2B fusion protein in order to tag cells expressing Pdx1 with a red fluorescent protein. The generation of a Pdx-1 red fluorescent marker will enable the isolation of pancreatic lineage progenitors by FACS. The presence of the H2B sequences may also be useful in allowing the plane of cell division to be analyzed.
<b>Categories:</b>	Fluorescent Probes

**Genetic Alterations****1) RMCE Targeted Mutagenesis**

<b>Type of Allele</b>	Cassette Acceptor
<b>Targeted Gene</b>	pancreatic and duodenal homeobox 1 (Pdx1 - <a href="#">NCBI GeneID:18609</a> )
<b>Targeted Allele</b>	targeted mutation 1 (Pdx1 <sup>tm1(LCA)</sup> - <a href="#">MGI:102851</a> )
<b>Description of Targeting Vector</b>	An 8.62 kb region of this gene has been replaced by tandemly oriented Lox66 and Lox2272 sites flanking positive (puromycin) and negative (HSV-TK) selectable markers.
<b>Targeting Vector Genbank File</b>	<a href="#">ppdx1tv.gb</a>
<b>Recombinase-Mediated Cassette Exchange Stage</b>	
<b>Type of Allele:</b>	Gene Replacement
<b>Exchanged Cassette Gene</b>	red fluorescent protein (H2B.Apple)
<b>Exchanged Cassette Allele Name</b>	Pdx1 <sup>H2B.Apple</sup>
<b>Description of Exchange Vector</b>	not available
<b>Exchange Vector Genbank File:</b>	<a href="#">ppdx1tv.gb</a>
<b>Citations</b>	Not Available

**Strain Information**


No strain information has been supplied

**Associated Images****Image 1**


**Description:**  
Not provided

**Reference:**  
Not provided

**Access Status**

 This resource is publicly viewable.

**Request this Resource**

 Request from a repository


Primary contributor: [Magnuson Lab](#)


Co-contributed by:

- [BCBC Mouse / ES Cell Core](#)

**Resource Tags**

mouse, mouse strain, Pdx1.H2B.Apple


 Login to edit tags

 Read more about tags

**Resource History & Actions**

Approved on Feb 26, 2013

Last modified on Dec 21, 2011

 Login to edit or request an edit

**Related resources****BCBC**

No matching resources

**Other Consortia**

No matching resources

Data courtesy of [dkCOIN](#). Only public resources are displayed.

## Repositories

*No repositories indicated.*

## Contact Information

### Preferred Contact

Name	Mark Magnuson
Institution	Vanderbilt University
Phone	615-322-7006
Email	<a href="mailto:mark.magnuson@vanderbilt.edu">mark.magnuson@vanderbilt.edu</a>

## Associated Publications

*No publications associated*

## Comments

*There are no comments for this entry.*

