

**My Account**
[Login](#)  
[Create Account](#)
**Resources**
[View All \(813\)](#)  
[Adenoviruses \(137\)](#)  
[Antibodies \(175\)](#)  
[Bioimages \(67\)](#)  
[Genomics Studies \(145\)](#)  
[mESC Lines \(68\)](#)  
[Mouse Strains \(120\)](#)  
[Miscellaneous \(46\)](#)  
[Protocols \(55\)](#)  
[Research Data \(4\)](#)  
[Resource Tags \(389\)](#)  
[Visualization \(9\)](#)
**Research & Cores**
[Core Facilities \(5\)](#)  
[Research Highlights \(5\)](#)  
[Research Networks](#)  
[Research Objectives](#)
**Information**
[About the BCBC](#)  
[BCBC Events](#)  
[Branding & Logos](#)  
[Career Opportunities](#)  
[Health](#)  
[NIH hESC Registry](#)  
[Policies & Guidelines](#)  
[Member Publications](#)  
[Research Programs](#)  
[Research Investigators](#)  
[Member Directory](#)  
[Tutorials](#)
**ngn3-EGFP - Mouse Strain RES176****Mouse Information**

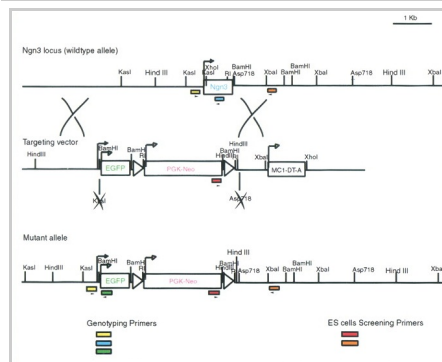
|                           |  |
|---------------------------|--|
| <b>Common Name:</b>       | ngn3-EGFP  |
| <b>MGI Official Name:</b> | B6.129S-Neurog3 <sup>tm1(EGFP)Khk</sup> /Mmcd  |
| <b>Description:</b>       | A targeted mutation at the Neurogenin 3 locus where EGFP replaces entire coding region of Neurogenin3. The basic phenotype is EGFP expression in developing endocrine cells of pancreas and in glandular regions of the stomach. |
| <b>Categories:</b>        | Fluorescent Probes   |

**Genetic Alterations****1) Targeted Mutagenesis**



| <b>Type of Allele</b>                  | Gene Replacement   |          |          |                          |   |
|--|--|----------|----------|--------------------------|---|
| <b>Targeted Gene</b>                   | Neurogenin 3 ( <a href="#">Neurog3 - NCBI GeneID:11925</a> )   |          |          |                          |   |
| <b>Targeted Allele</b>                 | targeted mutation 1, Klaus H Kaestner (Neurog3 <sup>tm1(EGFP)Khk</sup> - <a href="#">MGI:2651394</a> )   |          |          |                          |   |
| <b>Description of Targeting Vector</b> | <i>Not provided</i>  |          |          |                          |   |
| <b>Targeting Vector Genbank File</b>   | <i>Not provided</i>  |          |          |                          |   |
| <b>Citations</b>                       | <table> <thead> <tr> <th>PubMedID</th> <th>Citation</th> </tr> </thead> <tbody> <tr> <td><a href="#">12080087</a></td> <td><a href="#">Neurogenin 3 is essential for the proper specification of gastric</a> (2002) <i>Genes Dev</i> <b>16</b>: 1488-97 (Added 2005-04-13 12:55:28)</td> </tr> </tbody> </table> | PubMedID | Citation | <a href="#">12080087</a> | <a href="#">Neurogenin 3 is essential for the proper specification of gastric</a> (2002) <i>Genes Dev</i> <b>16</b> : 1488-97 (Added 2005-04-13 12:55:28) |
| PubMedID                               | Citation   |          |          |                          |   |
| <a href="#">12080087</a>               | <a href="#">Neurogenin 3 is essential for the proper specification of gastric</a> (2002) <i>Genes Dev</i> <b>16</b> : 1488-97 (Added 2005-04-13 12:55:28)  |          |          |                          |   |

**Strain Information**

|  |                                       |
|--|---------------------------------------|
| <b>Strain Type:</b>                        | Congenic Strain                       |
| <b>Chimera/Founder Genetic Background:</b> | 129                                   |
| <b>Current Genetic Background:</b>         | C57BL/6 (date recorded: Not provided) |
| <b>Strain Description:</b>                 | Not provided                          |

**Associated Images****Image 1****Description:**

Targeting strategy for ngn3 inactivation. (A) Gene structure of the ngn3 locus (top). Targeting vector used for homologous recombination in ES cells (middle). Gene structure of the targeted allele (bottom). Not all of the restriction enzymes are depicted in the diagram.

**Reference:**  
[12080087](#)
**Repositories****MMRRC**
[Request via www.mmrc.org website](#)
**Stock #:** 000344-UCD  
**Availability Notes:** *Not provided*
**Access Status**
 This resource is publicly viewable.
**Request this Resource**
 Request from a repository

 Primary contributor: [Kaestner Lab](#)
**Resource Tags**
 B6.129S-Neurog3<sup>tm1(EGFP)Khk</sup>/Mmcd, EGFP, mouse, mouse strain, Ngn3, ngn3-EGFP

 Login to edit tags

 Read more about tags
**Resource History & Actions**
 Approved on Mar 07, 2006  
 Last modified on Mar 24, 2015

 Login to edit or request an edit
**Related resources****BCBC**
*No matching resources*
**Other Consortia**
*No matching resources*

 Data courtesy of [dkCOIN](#). Only public resources are displayed.

MMRRC

### Contact Information

#### Preferred Contact

Name Klaus Kaestner

Institution University of Pennsylvania

Phone 215-898-8759

Email [kaestner@mail.med.upenn.edu](mailto:kaestner@mail.med.upenn.edu)

#### Primary Lab Contact

Name *Not provided*

Institution *Not provided*

Phone *Not provided*


Email *Not provided*

### Associated Publications

*No publications associated*

### Comments

*There are no comments for this entry.*

 Login to add  
comments

[Home](#) · [Your Account](#) · [News & Events](#) · [Resources](#) · [Policies & Guidelines](#) · [About Us](#) · [FAQ](#) · [Site Map](#)

© 2002-2015 Beta Cell Biology Consortium - All Rights Reserved. [Terms of usage and disclaimer](#).

